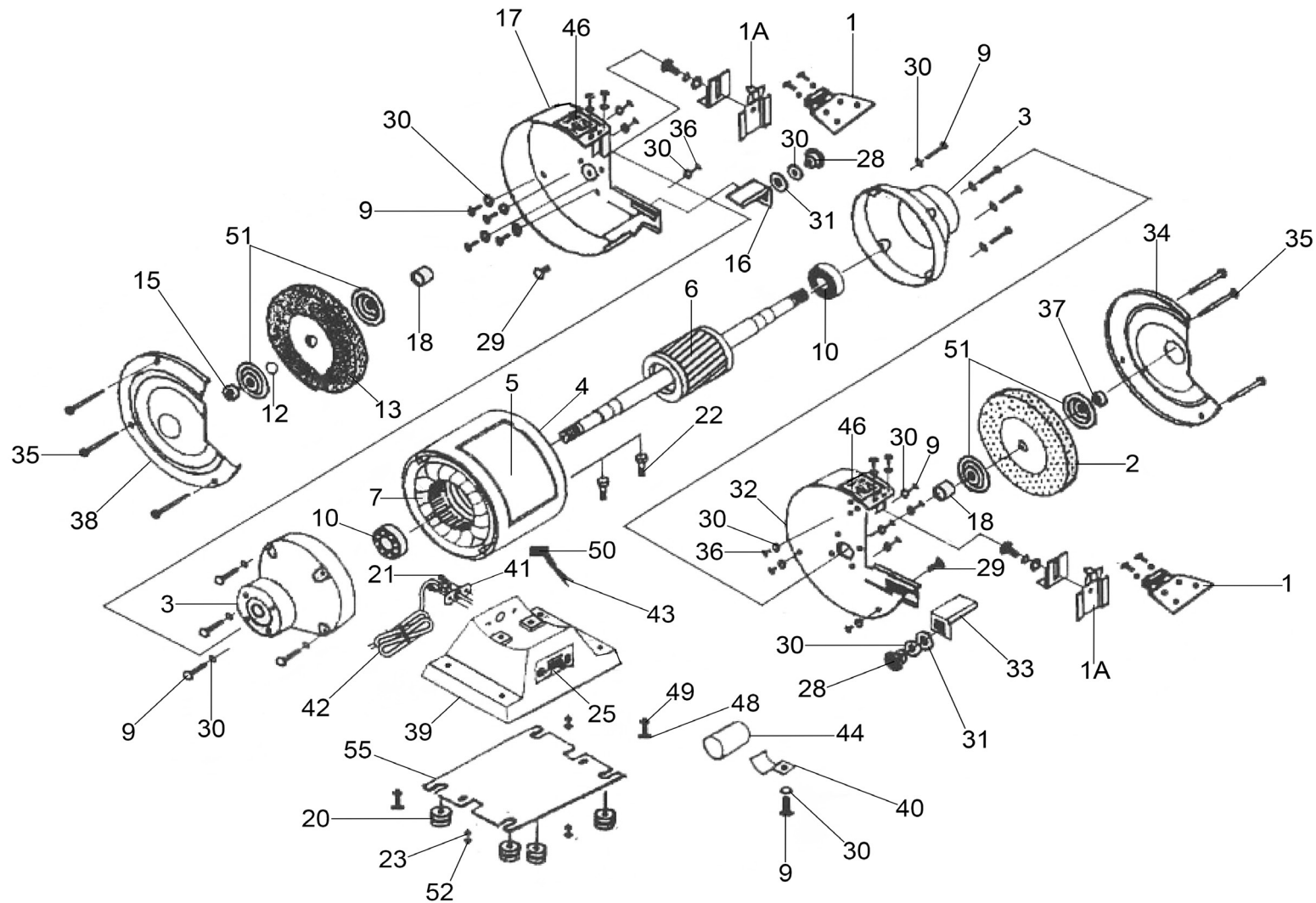


Parts Information:  
**Bench Grinder Ø200mm 600W/230V**  
**Model No: BG200XL.V2**



**NOTE:** It is our policy to continually improve products and as such we reserve the right to alter data, specifications and component parts without prior notice.

There may be alternative versions of this product, please contact us should you require this information.

**IMPORTANT:** No liability is accepted for incorrect use of product. Spare parts must be fitted by a competent person

**WARRANTY:** Guarantee is 12 months from purchase date, proof of which will be required for any claim.



Parts Information:  
**Bench Grinder Ø200mm 600W/230V**  
**Model No: BG200XL.V2**

Item	Part No.	Description	Qty
1	BG150XD/99-01	Eyeshield	2
1A	BG150XD99-01A	Eyeshield Bracket Assembly	2
2	BG200/16	Grinding Stone Ø200 x 25mm Ø16mm Bore A36Q Coarse	1
3	BG200XL/A-03	End Cover, Motor	2
4	BG200XL/A-04	Motor Case	1
5	BG200XL/A-05	Label	1
6	BG200XL/A-06	Rotor	1
7	BG200XL/A-07	Stator	1
9	MSP512.S	Machine Screw Pan Head Phillips M5 x 12mm	17
10	B/6203ZZ	Bearing	2
12	BG200XL/A-12	Washer	1
13	BG200/15	Grinding Stone Ø200 x 25mm Ø16mm Bore A60P Fine	1
15	BG200XL/A-15	Nut, Left-Handed M14	1
16	BG200XL/A-16	Adjustable Rest, Left	1
17	BG200XL/07L	Wheel Guard, Left	1
18	BG200XL/A-18	Shaft Bushing	2
20	BG200XL/A-20	Rubber Pad	4
21	MSP58.SB	Screw M5 x 8mm Black	2
22	BG200XL/A-22	Bolt M8 x 25mm	2
23	BG200XL/A-23	Washer	4
25	BG150XD/99-04	Switch, Power Rocker (c/w Plate)	1
28	BG200XL/A-28	Knob Assembly Ø 23mm, M5 Threaded Female (c/w M5 Coach Bolt)	2
29	CBN616.S	Coach Bolt M6 x 16mm	2
30	BG200XL/A-30	Int Tooth Washer M6	25
31	RW619.S	Repair Washer M6 x 19mm	2
32	BG200XL/A-32	Wheel Guard, Right	1
33	BG20099V3.55	Adjustable Rest, Right	1

Item	Part No.	Description	Qty
34	BG200XL/A-34	Cover,Right	1
35	SN5.S	Steel Nut M5	6
36	MSP560.S	Machine Screw Pan Head Phillips M5 x 60mm	6
37	SN14.S	Steel Nut M14	1
38	BG200XL/A-38	Cover, Left	1
39	BG200XL/A-39	Motor Base	1
40	BG200XL/A-40	Capacitor Holder	1
41	BG200XL/A-41	Strain Holder	1
42	BG200XL/A-42	Cord & Plug	1
43	BG200XL/A-43	Wire Lead	1
44	BG200XL/A-44	Capacitor 5µf w400ac 50/60hz 50 x 30mm	1
46	BG200XL/A-46	Directional Label	2
48	BG200XL/A-48	Screw M4 x 8mm	2
49	BG200XL/A-49	Washer	2
50	BG200XL/A-50	Bush	1
51	BG200XL/A-51	Flange	4
52	SN8.S	Steel Nut M8	4
55	BG200XL/A-55	Clamping Plate	1
--	BG200XL/A-19	Screw M5 x 10mm (Not Shown)	--
--	BG200XL/A-24	Fixing Plate, Rocker Switch (Not Shown)	--
--	BG150XD/9904A	Switch, Power Rocker 15A/250V -T125/55 (Not Shown)	--
--	MSP310.S	Machine Screw Pan Head Phillips M3 x 10mm (Not Shown)	--
--	840.V2-08	Int Tooth Washer M6 (Not Shown)	--
--	BG200XL/A-45	Grounding Label (Not Shown)	--
--	BG200XL/A-47	Flap Wire Lead (Not Shown)	--
--	BG200XL/A-53	Warning Label (Not Shown)	--
--	BG200XL/A-54	Label (Not Shown)	--

**NOTE:** It is our policy to continually improve products and as such we reserve the right to alter data, specifications and component parts without prior notice. There may be alternative versions of this product, please contact us should you require this information.

**IMPORTANT:** No liability is accepted for incorrect use of product. Spare parts must be fitted by a competent person

**WARRANTY:** Guarantee is 12 months from purchase date, proof of which will be required for any claim.

Sealey Group, Kempson Way, Suffolk Business Park, Bury St Edmunds, Suffolk. IP32 7AR



01284 757500



sales@sealey.co.uk



www.sealey.co.uk